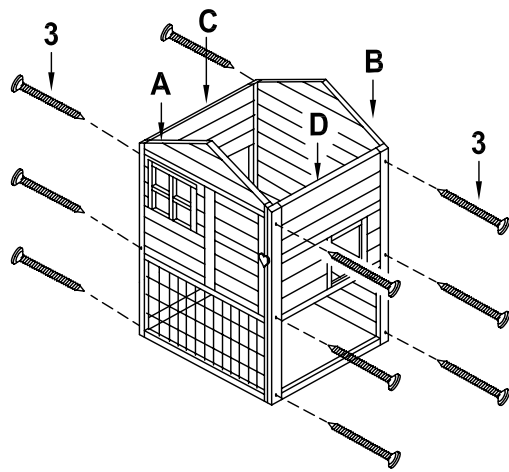
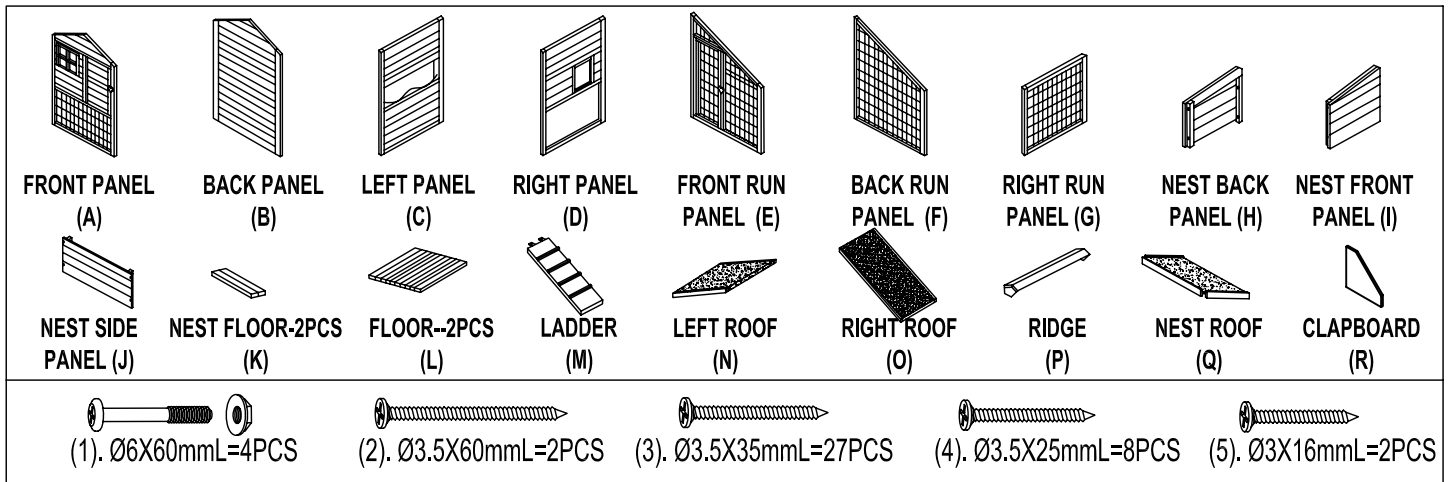
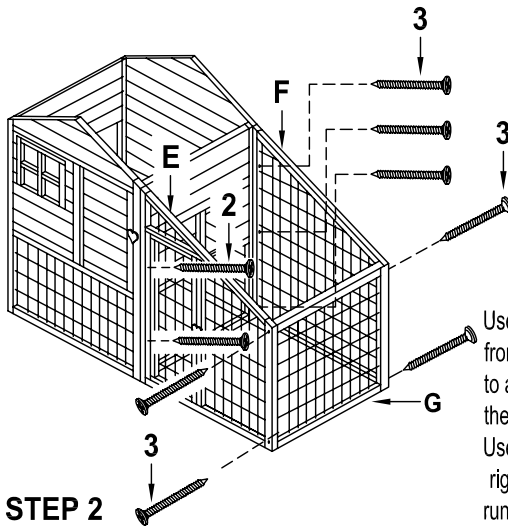


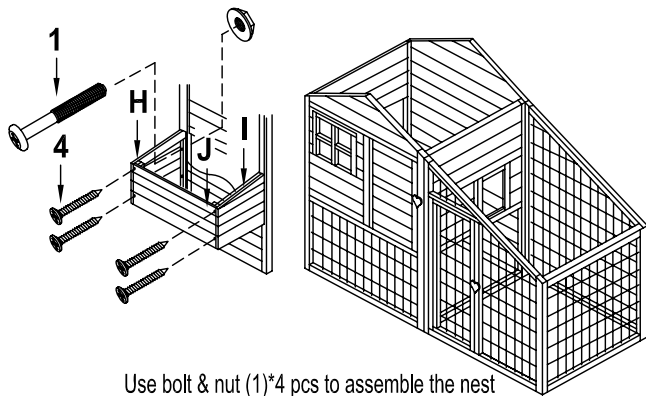
# Assembly Instructions



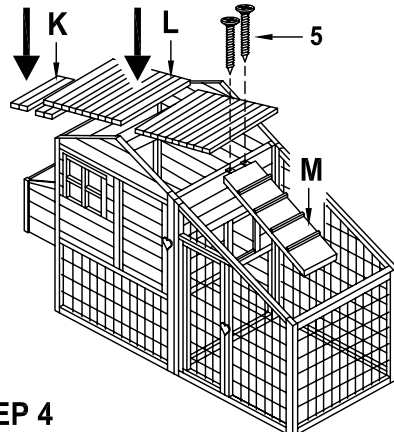
**STEP 1** Use screw (3)\*12pcs to assemble front & left & right panels.



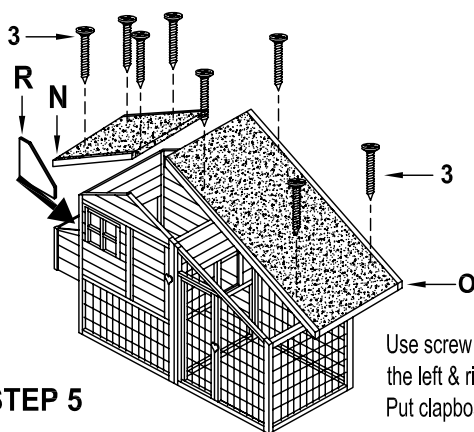
**STEP 2** Use screw (2)\*2pcs to assemble front run panel. Use screw (3)\*3pcs to assemble back run panels with the right panel. Use screw (3)\*4pcs to assemble right run panel with front & back run panel.



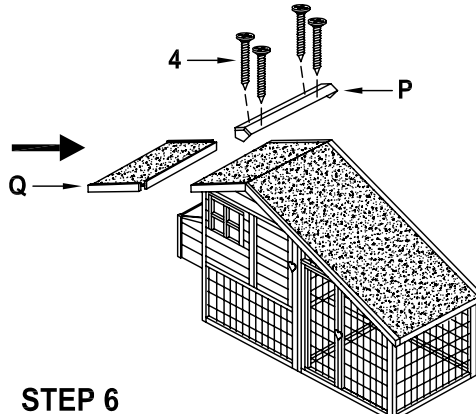
**STEP 3** Use bolt & nut (1)\*4 pcs to assemble the nest front & back & side panel with the left panel.



**STEP 4** Place the nest floors, floors to their positions, place the ladder in the run, and use screw (5)\*2pcs to fix the ladder with right panel.



**STEP 5** Use screw (3)\*8 pcs to assemble the left & right roof. Put clapboard into nest.



**STEP 6** Use screw (4)\*4 pcs to assemble the ridge. fix the nest roof on it is right position.